

G-Series



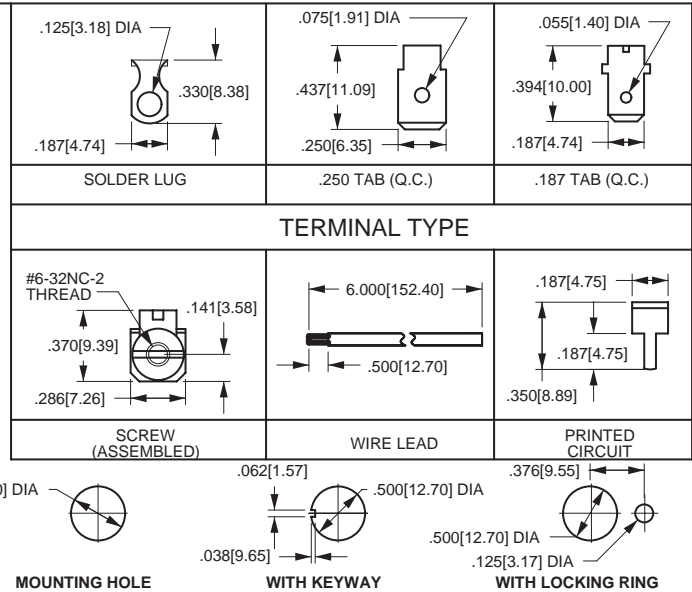
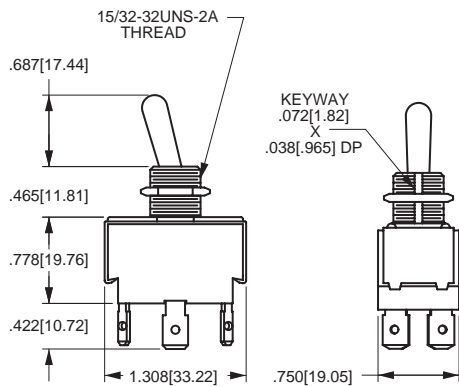
The G-Series toggle switches are single or double pole, AC rated up to 20 amps and contain a slow-make, slow-break contact mechanism. These switches are available in a wide range of ratings, terminations, circuits and bushing/toggle configurations.

Specifications

- Certifications*: UL, CSA, VDE
- Dielectric Strength: 1,000 V (minimum)
- Insulation Resistance: 100 Megohms (minimum)
- Base Material: Phenolic
- Actuator Material: Brass/Nickel Plate or Polycarbonate
- Bushing Material: Brass/Nickel Plate or Polycarbonate

* Due to ongoing technological advances, consult factory for certification specifics.

Dimensional Specifications: in. [mm]



SERIES	RATING ²	TERMINATION/FUNCTION	TOGGLE STYLE ³					
2G	A	5	1	-	73			
2G MAINTAINED 6G MOMENTARY	0 20A 250VAC 5 10A 250VAC 15A 125VAC 3/4HP 125-250VAC	FUNCTION ON-NONE-OFF (ON)-NONE-OFF ON-NONE-(OFF) ON-NONE-ON ON-NONE-(ON) ON-OFF-ON ON-OFF-(ON) (ON)-OFF-(ON)	SOLDER LUG 0 A L	TAB (QC) 1 B M	TAB (QC) 3 D R	SCREW TERM. 4 E S	WIRE LEAD 5 F T	PC TERM. 6 G U
CIRCUIT¹	6 3A 250VAC 6A 125VAC 1/4HP 125-250VAC	ON-NONE-(OFF)	0	1	3	4	5	6
SINGLE POLE IN DOUBLE POLE BASE	7 12A 250VAC 17A 125VAC 1HP 250VAC	ON-NONE-(ON)	A	B	D	E	F	G
A ON-NONE-OFF B ON-NONE-ON C ON-OFF-ON	9 10A 250VAC 15A 125VAC	ON-OFF-(ON)	0	1	3	4	5	6
DOUBLE POLE	72 20A 125-277VAC 1 1/2HP 125VAC 2HP 250VAC	(ON)-OFF-(ON)	A	B	D	E	F	G
K ON-NONE-OFF L ON-NONE-ON M ON-OFF-ON			L	M	R	S	T	U

NOTES:
Shading indicates standard configurations.

¹ Rating Code 5 is applicable to certain circuits only. Consult factory for specifics. Rating 9 is only available with nylon bushing and actuator. See page 53 for callout. Rating 9 is only available with terminations 0 and 1, circuits A, B, K and L only. Rating 72 is only available in maintained circuits and nylon construction. See page 53 for callout.

² NBL toggle uses black oxide plated metal bushing for standard construction. NWH toggles use nickel plated metal bushing for standard construction.

BAT	TOGGLE LENGTH	BUSHING LENGTH	SUFFIX NO.	NEOPRENE SEAL
	.406	.343	52	57
	.562	.465	63	68
	.687	.465	73	78
	1.00	.465	A3	A8
	1.25	.465	B3	B8
	.687	.465	NBL3	NBL8
	.687	.465	NWH3	NWH8
	1.50	.465	C3	C8